

JUST BEAUTIFUL  
DESIGN PRODUCTS

# fastBlock 05/90/2500

The 5th generation of industrial book block production



**+ SWISS MADE**



High volume & speed for XL formats and premium quality

## Expand your radius in beautiful designed photo products:



LayFlat photo books



Photo calendars



Design postcards



Standard Binding



LayFlat Binding

- ▶ Showcases impressive panoramic photo spreads.
- ▶ Pages stay open easily and are fully on display.

### Calendars

Create professional calendars with fastBlock from Imaging Solutions. Use the sandwich technology (inlay plus paper) to reach highest possible product quality.

### Greeting cards

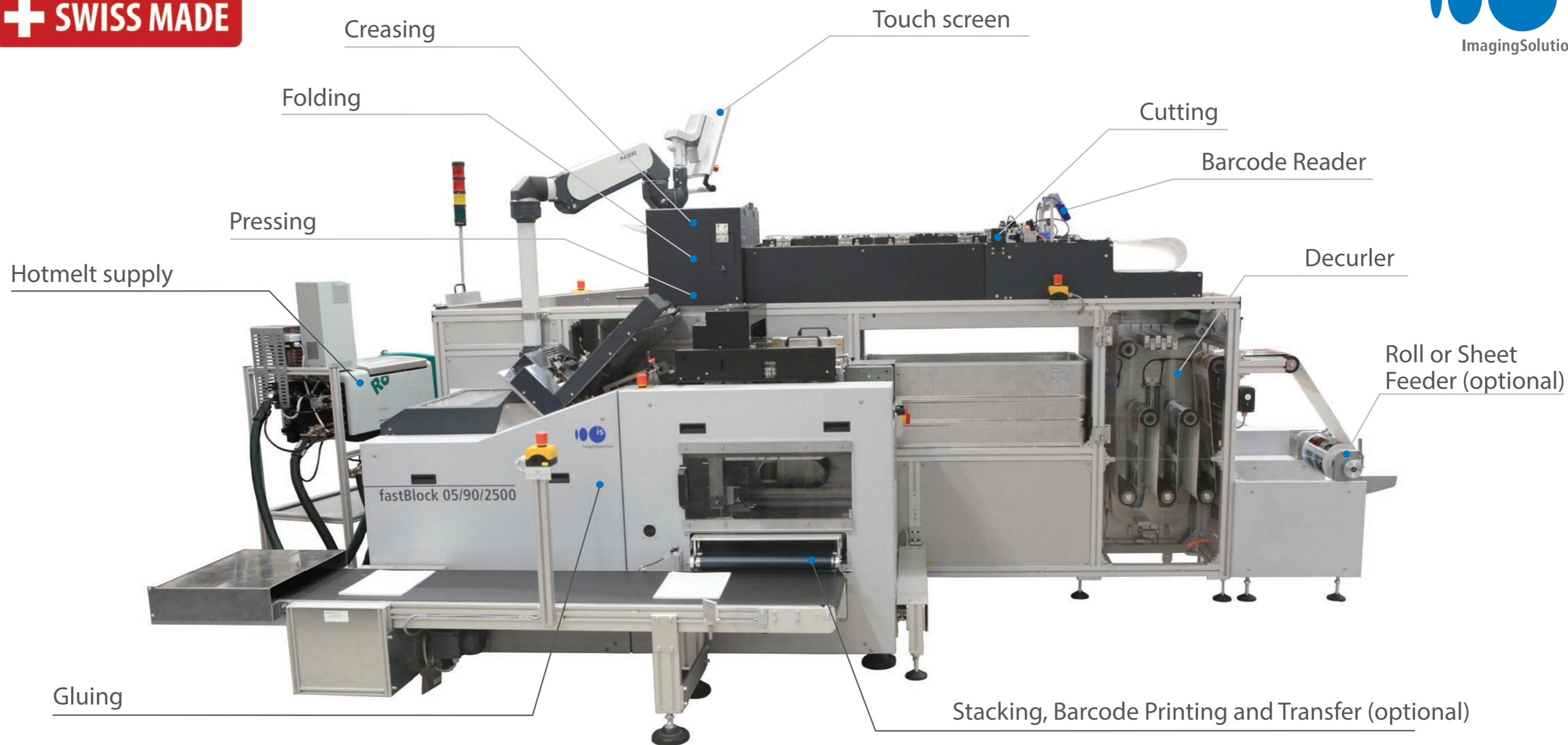
The fastBlock system enables you to produce premium greetings cards and postcards in various formats.

### XL LayFlat binding for full visual impact

The growing request for panoramic layout design without any image loss in the center demands state-of-the-art solutions for the book-on-demand business.

LayFlat binding offers you tremendous opportunities for attracting new customers. It is increasingly used for premium photo books, high-end product presentations, catalogs and brochures.

fastBlock 05/90/2500 processes XL photo book blocks up to 457 mm length (18").



## fastBlock

### From roll or single sheet to finished book block

The fastBlock system by Imaging Solutions is a 5-in-1 solution. A LayFlat book block is produced from roll or single sheets in just one working step. One push of a button triggers all of the necessary individual steps: cutting, creasing, folding, pressing and gluing.

LayFlat book blocks are produced with minimum manpower requirements, and same-day finishing and shipping is possible.

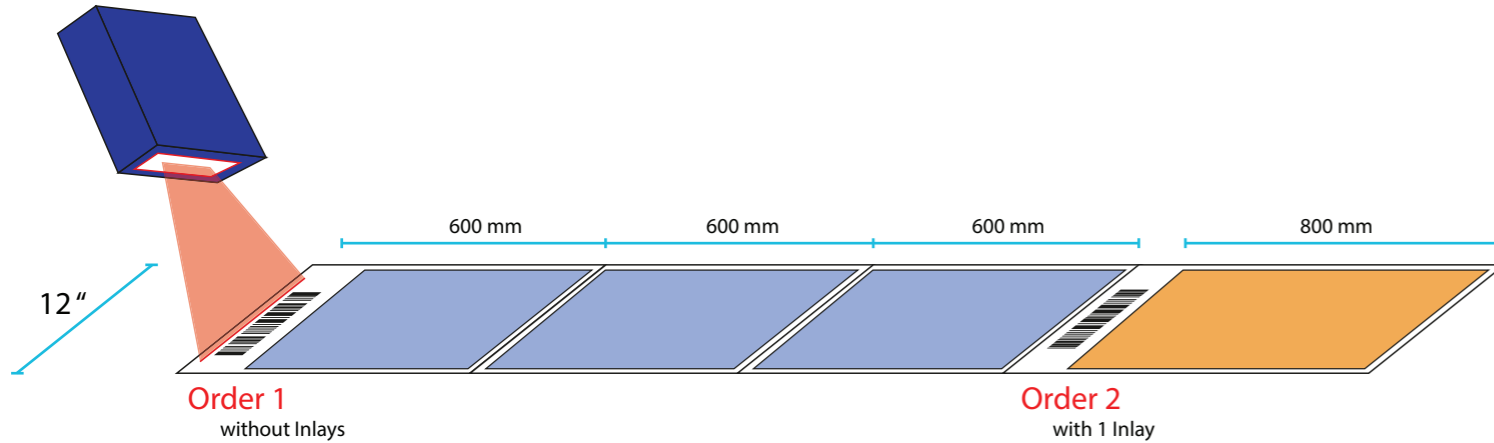
### One system does it all

Accurate cutting, folding and gluing ensure perfectly aligned book blocks. The sheets are transported onto a rotating drum in the gluing module. They are glued back to back and placed on a moving table to build the book block.

The finished book block is then transported into an optional stacker or onto a conveyor belt which connects fastBlock to the next finishing processes (perfectPress, 3-knife trimming, casing-in, joint forming).

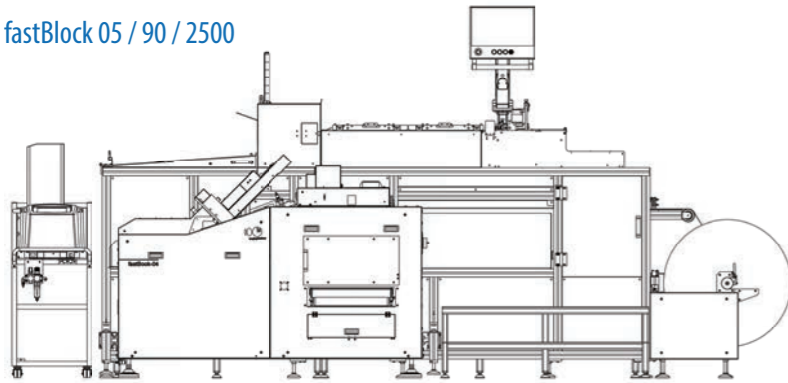
# Barcode System

The new fastBlock system is the latest innovation to productivity. The integrated barcode reader allows barcode-controlled product selection and minimizes batching workload. That means the page length can vary from one order to the next as well as inlay application can vary from one order to the next. In addition the number of inlays (cardboards / synthetic inlays) can be set freely.



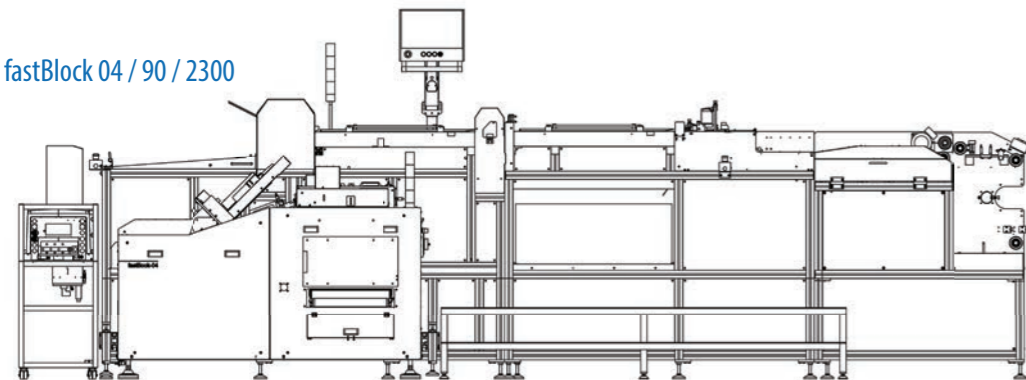
# The smallest fastBlock ever!

fastBlock 05 / 90 / 2500



The new fastBlock system is the fastest fastBlock ever and also the most compact one. The new smaller footprint saves you valuable production space.

fastBlock 04 / 90 / 2300



# Key Features

- ▶ XL format book blocks up to 370 mm x 457 mm (14.5" x 18")
- ▶ High-level performance: up to 250 book blocks/h (depending on size/pages)
- ▶ Block thickness max. 45 mm (1.8", with cardboard)
- ▶ Barcode controlled product selection: Different page lengths and book configuration (inlays) within one roll possible thus reducing time for batching
- ▶ Motorized adjustment of paper width
- ▶ Optional inlay feeder with a stacking height of 220 mm (8.66")
- ▶ Unlimited number of inlays can be glued between two pages
- ▶ Active adjustment of gluing head for precise and homogeneous glue application
- ▶ Optional in-line book press for perfect book spines
- ▶ Easy to operate via touchscreen
- ▶ 5-in-1 fully automatic print finishing system
- ▶ Cutting, creasing, folding, pressing and gluing in only one workstep
- ▶ Complete LayFlat book blocks manufactured from roll or single sheets
- ▶ Integratable into barcode-controlled workflows (e.g. inline with 3-knife-trimmer)
- ▶ Provides consistent premium quality with low production costs
- ▶ Premium LayFlat photo book technology for panoramic pages
- ▶ Processes original photo paper and digital press paper
- ▶ Swiss made quality
- ▶ Competent service team from Switzerland

## Options

Depending on your workflow, the following options are available:

- |   |                                    |
|---|------------------------------------|
| ▶ Feeder for inlays & endpaper or folded sheets | ▶ Glue dispenser                   |
| ▶ Conveyor with barcode printer                 | ▶ Inline book press "perfectPress" |

# Technical Specifications

## fastBlock 05

### BOOK BLOCK

<b>Height:</b>	8" (200 mm) - 14.5" (370 mm)		
<b>Gluing widths:</b>	200 mm / 7.9" 274 mm / 10.8"	215 mm / 8.5" 300 mm / 11.8"	249 mm / 9.8" 320 mm / 12.6"
<b>Length:</b>	max. 457 mm / 18" min. block length: 170 mm / 6.7"		
<b>Thickness:</b>	without inlay: max. 30 mm / 1.2"    with inlay: max. 45 mm / 1.8"		
<b>Paper thickness <sup>*)</sup>:</b>	0.13 mm - 0.26 mm / 0.0051" - 0.0102" (unfolded sheet)		
<b>Inlay specifications:</b>	thickness:	min. 0.16 mm max. 0.40 mm	
	materials:	cardboard, PET, PVC, PP	
	color:	white	
		number of inlays between two pages is selectable	

### PERFORMANCE (speed linearly reduced from 2'500 to 1'400 cycles)

book block length ≤ 320 mm / 12.8"	max. 2'500 cycles / h (= 1 cycle = 1 gluing = 2 pages)
book block length = 388.5 mm / 15.3"	max. 1'950 cycles / h (= 1 cycle = 1 gluing = 2 pages)
book block length = 457 mm / 18"	max. 1'400 cycles / h (= 1 cycle = 1 gluing = 2 pages)
	time loss between 2 book blocks: 3 s

### ELECTRICAL CONNECTION

<b>fastBlock 05 Roll:</b>	380 V   50 / 60 Hz   3 x 16 A	<b>Compressed air:</b>	0.55 – 0.7 MPa
<b>Melting unit:</b> (Robatech)	380 V   50 / 60 HZ   3 x 25 A Optional transformer available	<b>Remote Maintenance:</b>	fastBlock supports remote maintenance, network connection required
		<b>Weight:</b>	approx. 1250 kg / 2760 lbs

<sup>\*)</sup> For detailed paper specifications, please contact [info@imagingsolutions.ch](mailto:info@imagingsolutions.ch)